



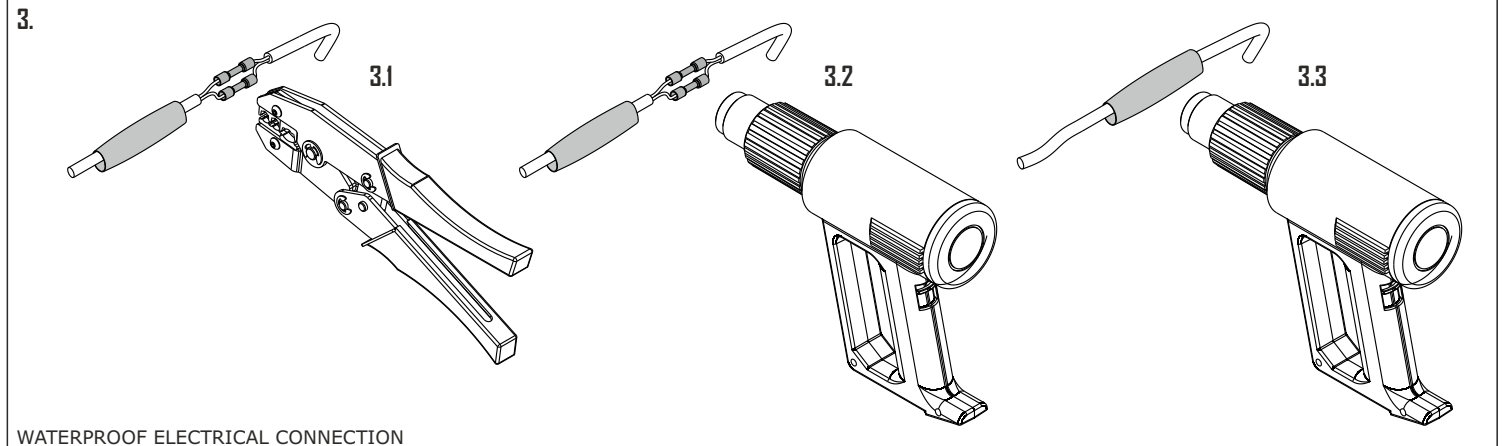
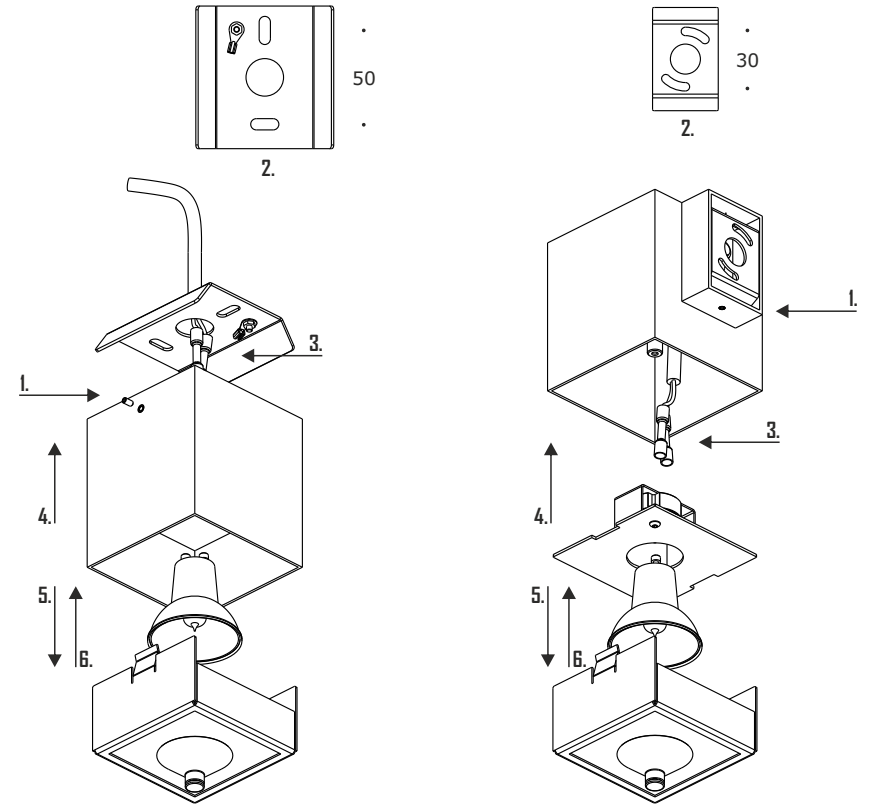
KUB

KUB
KUB WALL

31106.XX
31107.XX

KUB

1. UNSCREW AND REMOVE THE BASE PLATE.
2. DRILL 2 HOLES AND FIX THE BASE TO THE CEILING.
3. MAKE THE WATERPROOF ELECTRICAL CONNECTION.
4. FIX THE BODY TO THE CEILING PLATE.
5. USE THE SUCTION CUP TO PULL THE GLASS COVER.
6. INSTALL THE BULB.
7. PUSH BACK THE GLASS COVER.



WATERPROOF ELECTRICAL CONNECTION

DEKKO

12-16 DRAGAN TSANKOV BLVD
1164 SOFIA,
BULGARIA

T +359 (0)2 8168116
F +359 (0)2 8168118

office@dekko.net
www.dekko.net